



***Operation,
Maintenance
& Parts Manual***



**EZ Vibe™ Model EH035
Hand Held Gas Vibrator**



TABLE OF CONTENTS

Page #

1) Safety	2
2) Benefits of vibration	2
3) Operation	2
a) Starting procedure	3
b) Vibrator insertion	3
4) Maintenance	3
a) Vibrator head	3
b) Robin engine	4
5) Service	4
6) Manufacturer's Limited Warranty	5
7) Parts	6
a) Wyco Head Drawing	7
b) Wyco EZ Vibe Drawing	8
c) Robin Engine Drawings	
- Camshaft	9
- Air Cleaner & Choke	10
- Clutch	12
- Starter Assembly	13
- Cylinder Block	14
- Muffler	16
- Crankshaft	17
- Carburetor	18
- Ignition	20
- Cover	21
- Fuel	22
- Clutch Housing	23



1. SAFETY

Read and follow all safety precautions given in the Robin engine instruction manual for their EH035 engine. In addition, read and follow the safety instructions given below:

! DANGER !

Never fill the engine with gas while EZ Vibe is being carried. If fuel is spilt, wipe it away carefully and wait until the fuel has dried before starting engine!

Flammable, no smoking!

! WARNING !

Always wear hearing and eye protection!

Keep hands away from hot metal parts of the engine!

2. BENEFITS OF VIBRATION

The following is a list of benefits resulting from vibrating freshly poured concrete.

- 1) Increases concrete strength by removing air voids.
- 2) Improves appearance by removing air voids
- 3) Increases bond between concrete and reinforcing bars.
- 4) Fluidizes concrete allowing a stiffer mix with a lower water to cement ratio to be placed. This increases concrete strength.
- 5) Reduces cold joints and honey combing.

3. OPERATION

Read and follow the instructions given in the Robin engine instruction manual for their EH035 engine.

This is a 4-Cycle engine. **Do not mix gas and oil.** Be sure to fill the crank case with the oil specified in the Robin engine instruction manual.

a) Starting Procedure

- Always check for gas tank and fuel hose leaks before using engine.
- Insure fresh fuel is in tank.
- Insure crank case is properly filled with oil.
- Insure switch is "On".
- Push primer 7 to 10 times.
- If engine is cold, place choke to the closed position.
- Pull starter rope quickly, but do not pull to the point where additional rope does not come out.
- If engine pops without starting, set choke to ½ open and pull again.

b) Vibrator Insertion

Insert vibrator vertically, allowing it to penetrate rapidly to the bottom of the lift at least 6 inches into any previous lift. Hold the vibrator at the bottom of the lift for 5 to 15 seconds. Pull vibrator up at a rate of about 5 seconds per foot. Insure that the radius of actions overlap (distance between vibrators 1.5 times the radius of action)

4. MAINTENANCE

a) Vibrator Head

Maintenance on the head should be done after every 50 hours of use. When servicing, automatically replace hex driver, seals, and bearings.

(See drawing on Page 7)

- 1) Hold the nose end in a vise and unscrew the end cap (counter-clockwise) with a chain wrench or a good pipe wrench.



- 2) Pull the eccentric rotor assembly out of the housing. (If the bearings are stuck and you have difficulty removing them from the housing, screw end cap partly back into the housing and bounce the head and cap down on a block of wood, in order to loosen the bearings from their seat, then pull out rotor assembly.)

Note: Hexagon Driver has left hand threads



- 3) Flush/clean rotor assembly and housing with solvent and wipe all parts clean. Replace bearings, seals and hex driver. Maintain concentric alignment of hex driver with respect to rotor shaft. Refill with proper amount of Wyco No. 514-O non-foaming vibrator oil. Apply Loctite 545 or equivalent to threads on both ends of rotor.

1.38B Head (1-3/8" Square) gets 1 ounce of head oil.

- 4) Replace rotor assembly in head housing. Apply Loctite 545 or equivalent all around the threads of the end cap. Tighten and wipe off excess Loctite 545.

b) Robin Engine

Follow the recommendations in the Robin engine instruction manual for their EH035 engine regarding, but not limited to, the spark plug, oil change and air filter service. When changing the spark plug use NGK #CMR6A with a .03 inch gap.

5. SERVICE

Repair or replacement parts can be ordered from The Wyco Tool Co. Warranty repairs or chargeable repairs can be made by sending the product to the following address. Always obtain a RGA (Return Goods Authorization) number and include it in the address before returning any parts for warranty consideration or chargeable repair.

6. MANUFACTURER'S LIMITED WARRANTY

The WYCO Tool Company warrants that the products manufactured by it, when properly installed, used and maintained, shall be free from defects in material or workmanship and will perform according to the manufacturer's specifications under normal conditions, subject to the limitations stated in this Manufacturer's Limited Warranty.

WYCO's obligation under this warranty shall be limited to repairing or replacing the part or parts, or, at WYCO's option, the products which prove defective upon return to the manufacturer's factory. Cost of transportation and other expenses connected with replacing parts are not covered.

WYCO's obligation under this Warranty is limited to a period of 18 months from the date of shipment, or 12 months from the date of purchase by the first user of the product, whichever is longer.

Written authorization from WYCO is required before any product can be returned for warranty consideration.

WYCO is not liable for any consequential damages or any contingent liabilities arising out of the failure of product manufactured by it, or any component part or accessory.

This Manufacturer's Limited Warranty is in lieu of all other warranties. All other warranties, either expressed or implied, arising by operation of law, course of dealing, usage of trade or otherwise are excluded.

(Continued on Page 6)



THERE ARE NO IMPLIED WARRANTIES OF MERCHANTABILITY OR FITNESS FOR PURPOSE.

No agent, representative or distributor has any authority to alter the terms of this warranty in any way.

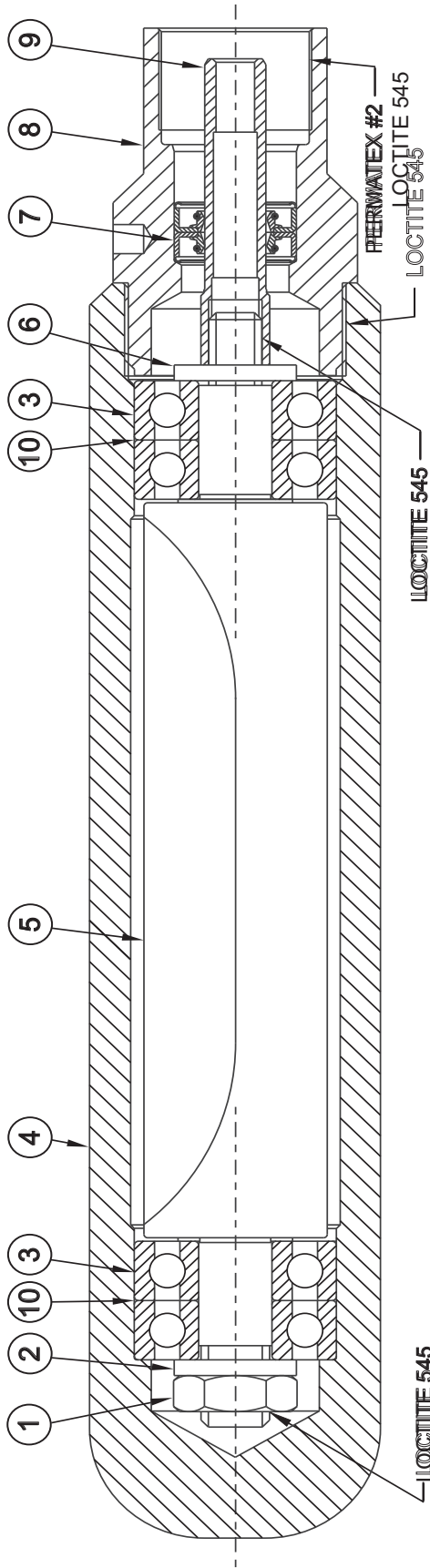
Robin America, Inc warrants their engine under a separate warranty. A copy of the Robin warranty is included with this product.

7. PARTS

***The following
pages contain
part Drawings
for Wyco's
EZ VibeTM &
Robin's
4 Cycle
Model EH035
Engine***



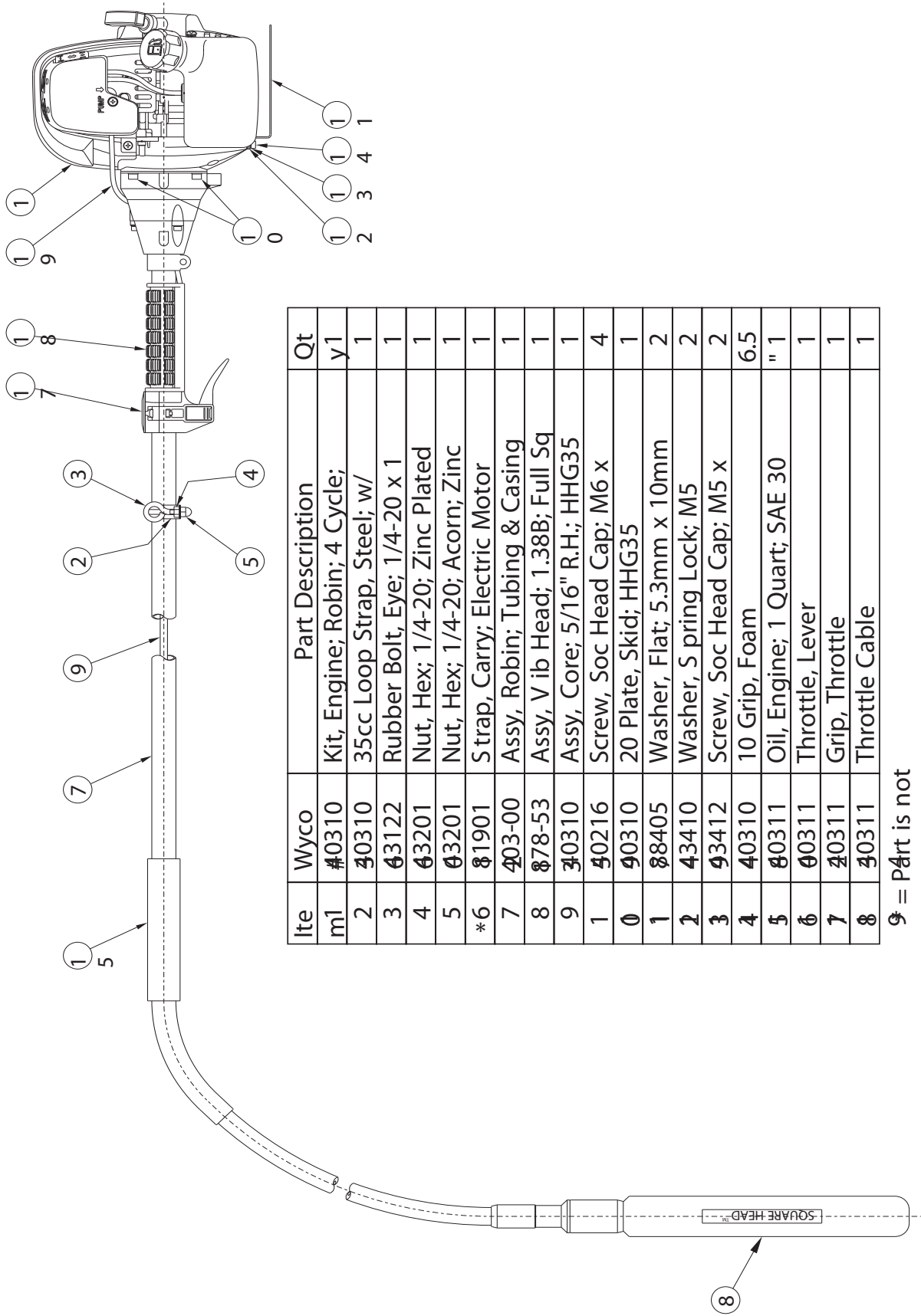
WYCO HEAD DRAWING



No	Description	Qty	1.38B	No	Description	Qty	1.38B
1	NUT, HEX JAM	1	432708	6	WASHER, FLAT	1	887015
2	WASHER, FLAT	1	887015	7	SEAL, OIL	2	***
3	BEARING, BALL	4	096013		8 END CAP	1	***
4	HOUSING, SQUARE	1	588331		9 DRIVER, HEX	1	384446
	5 ROTOR	1	718357	10	SHIM	2	419701

*** Manufacturer suggests using End Cap with pressed in seals 1.38B - #208231 however Seals and End Caps are available separately upon request.

WYCO EZ VIBE DRAWING

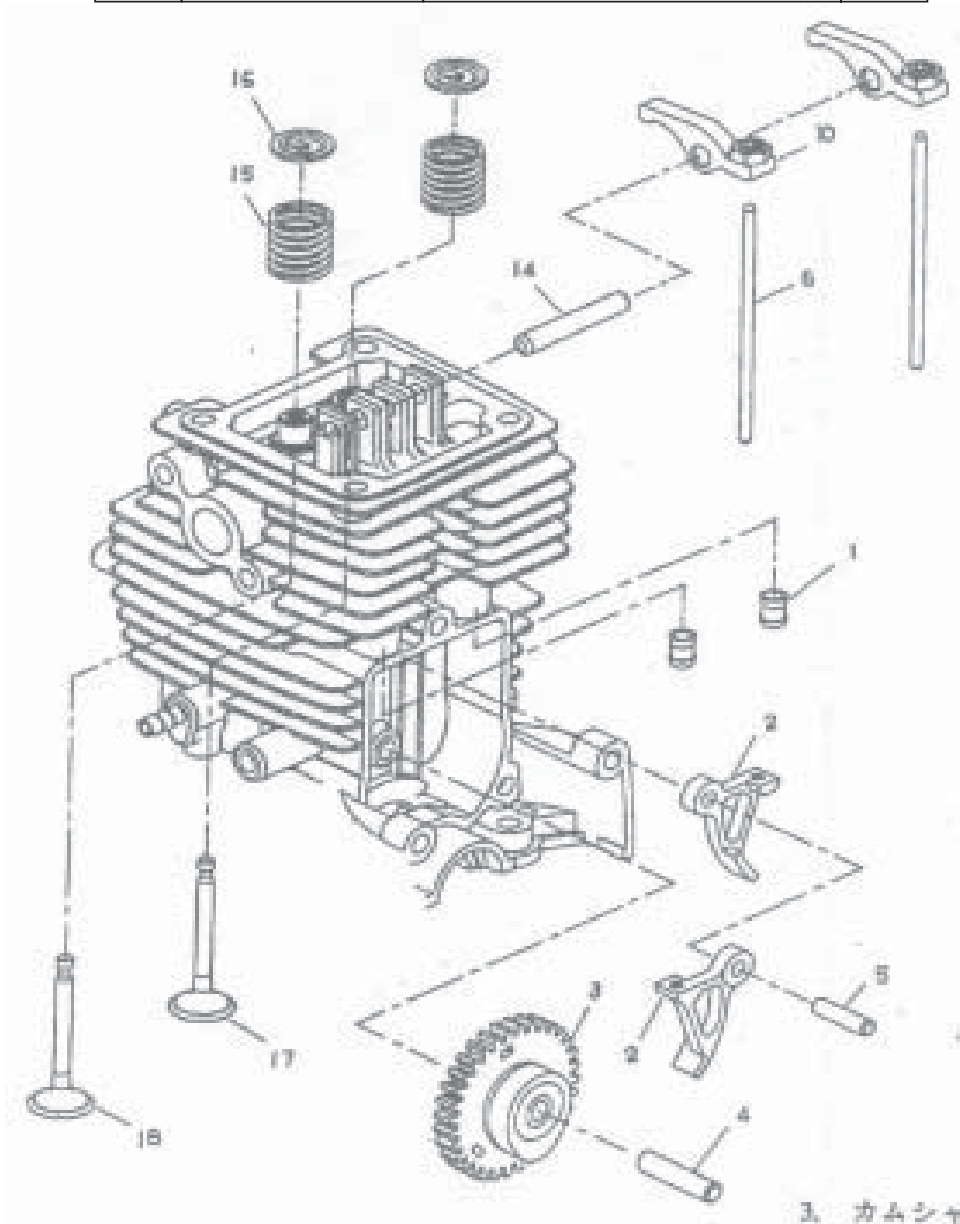


Ite	Wyco	Part Description	Qt
m1	#0310	Kit, Engine; Robin; 4 Cycle;	y1
2	40310	35cc Loop Strap, Steel; w/	1
3	43122	Rubber Bolt, Eye; 1/4-20 x 1	1
4	43201	Nut, Hex; 1/4-20; Zinc Plated	1
5	43201	Nut, Hex; 1/4-20; Acorn; Zinc	1
*6	41901	Strap, Carry; Electric Motor	1
7	403-00	Assy, Robin; Tubing & Casing	1
8	478-53	Assy, V ib Head; 1.38B; Full Sq	1
9	40310	Assy, Core; 5/16" R.H.; HHG35	1
1	40216	Screw, Soc Head Cap; M6 x	4
0	40310	20 Plate, Skid; HHG35	1
1	48405	Washer, Flat; 5.3mm x 10mm	2
2	43410	Washer, S pring Lock; M5	2
3	43412	Screw, Soc Head Cap; M5 x	2
4	40310	10 Grip, Foam	6.5
5	40311	Oil, Engine; 1 Quart; SAE 30	" 1
6	40311	Throttle, Lever	1
7	40311	Grip, Throttle	1
8	40311	Throttle Cable	1

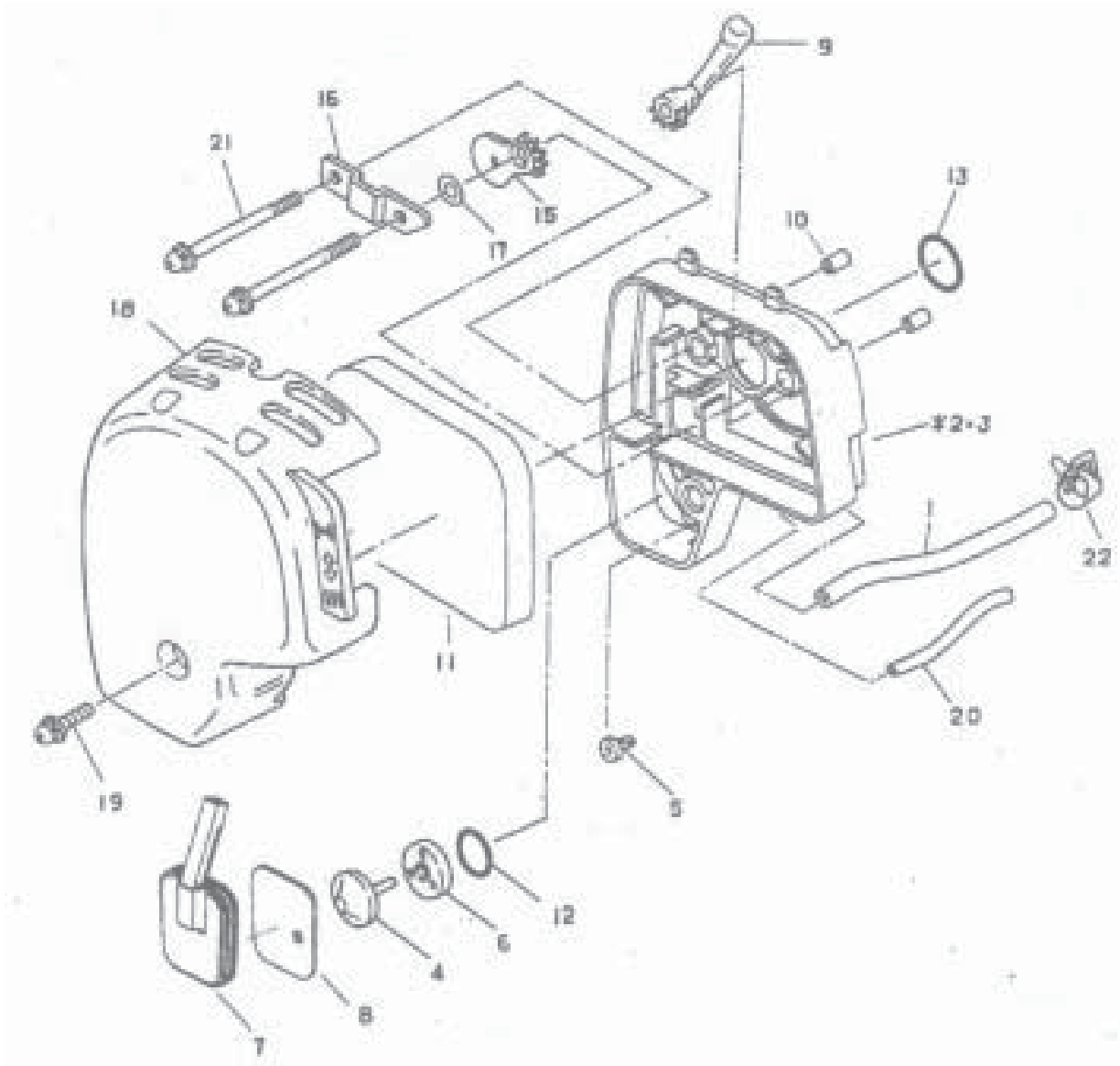
☞ = Part is not shown

CAMSHAFT

Item	Robin No	Part Description	Qty
1	5921501400	Spacer	2
2	5923500001-1	Cam Lifter	2
3	5933003000	Cam Gear Assembly	1
4	5923500501	Cam Gear Shaft	1
5	5923500600	Cam Lifter Shaft	1
6	5933500000	Push Rod	2
10	5933002000	Rocker Arm Assembly	2
14	5933500100	Rocker Shaft	1
15	5933500200	Valve Spring	2
16	5933500300	Spring Retainer	2
17	5933500400	Exhaust Valve	1
18	5933500500	Intake Valve	1



AIR CLEANER & CHOKE



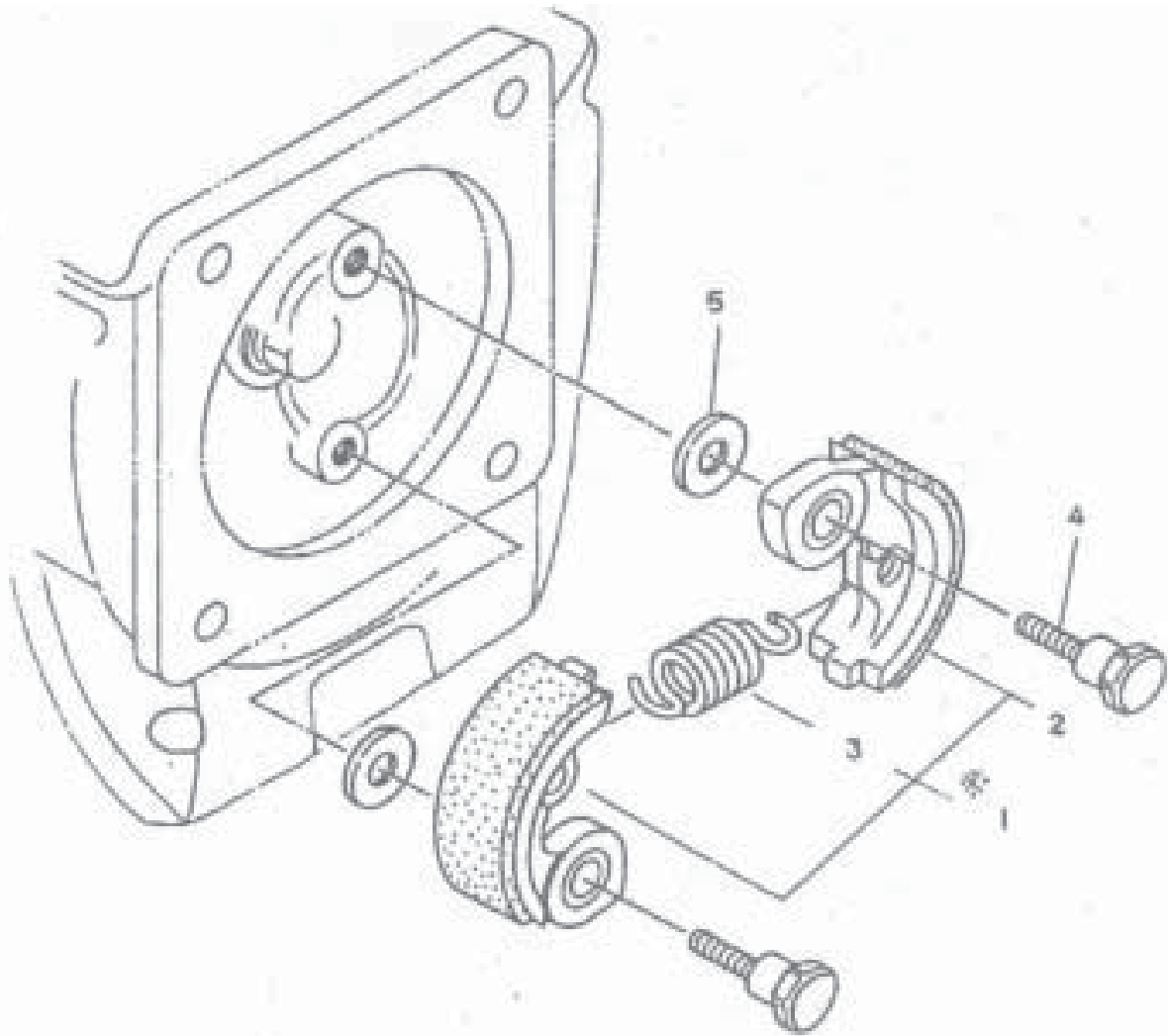
AIR CLEANER & CHOKE

Item	Robin No	Wyco No	Part Description	Qty
1	5931500900	-	Breather Pipe	1
2	5933001000	403213	Cleaner Assembly Plate	1
3	5933500700	-	Air Cleaner Plate	1
4	5316500701	-	Check Valve	1
5	5923502400	-	Check Valve (1)	1
6	5923502500	-	Check Valve Plate	1
7	5933501600	-	Separator Plate Complete	1
8	5923503500	-	Separator Gasket	1
9	5923502200-1	403214	Choke Lever	1
10	0230059880	-	Spacer	2
11	5933501200-1	403215	Air Cleaner Element	1
12	0240139970	-	O-Ring	1
13	0240159990	-	O-Ring	1
15	5923502301	403216	Choke Plate	1
16	5923502600	-	Plate	1
17	0213069990	-	Gasket	1
18	5933500800	403217	Air Cleaner Cover	1
19	0140059480	-	Screw	1
20	5923503001	-	Pipe	1
21	5923503100	-	Screw	2
22	0561080010	-	Hose Clamp	1



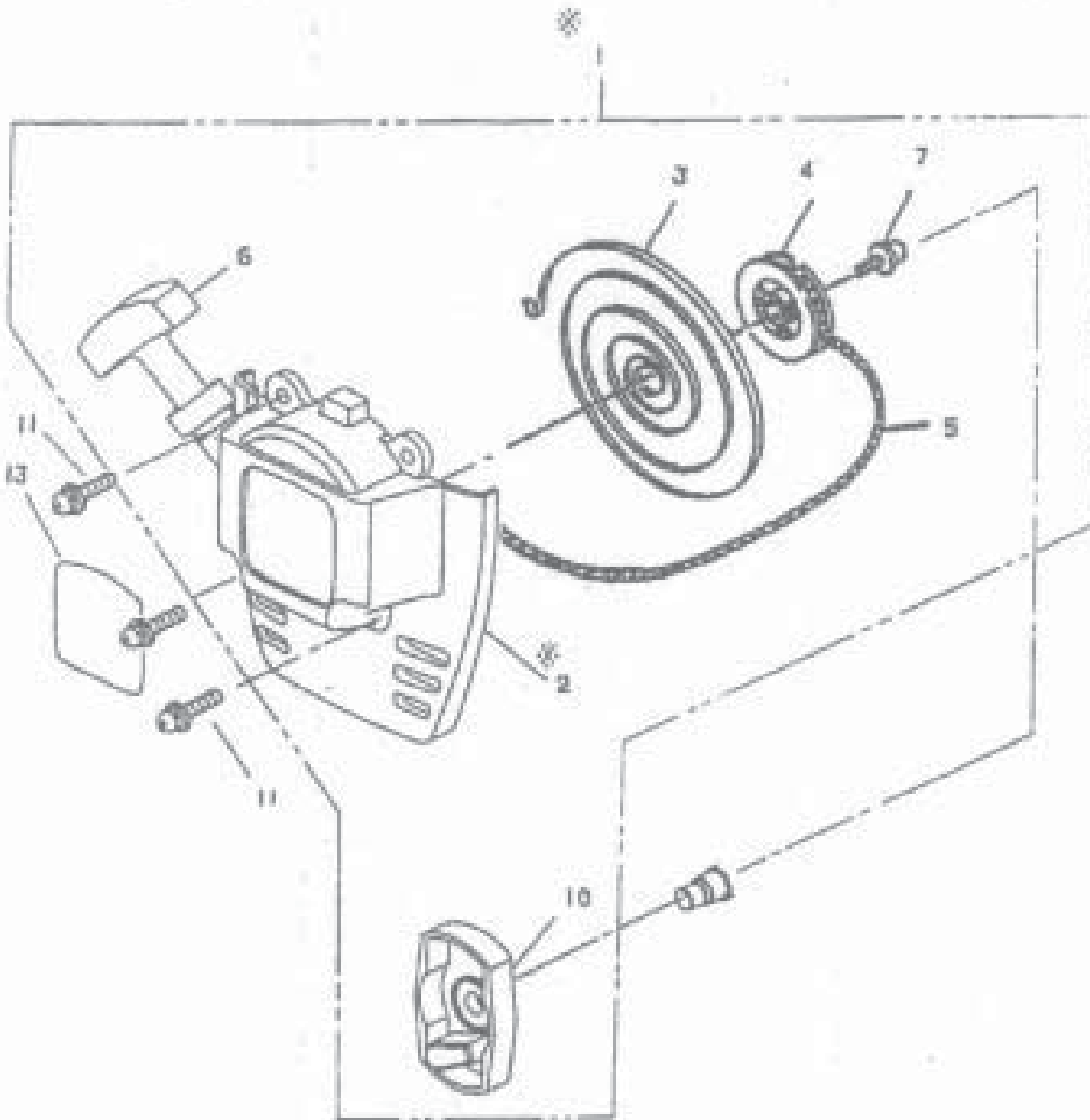
CLUTCH

Item	Robin No	Wyco No	Part Description	Qty
1	5318003000	-	Clutch Assembly	1
2	5318003010	403207	Clutch Shoe	2
3	5318003020	403208	Clutch Spring	1
4	5938500000	-	Clutch Bolt	2
5	0200089800	-	Washer	2

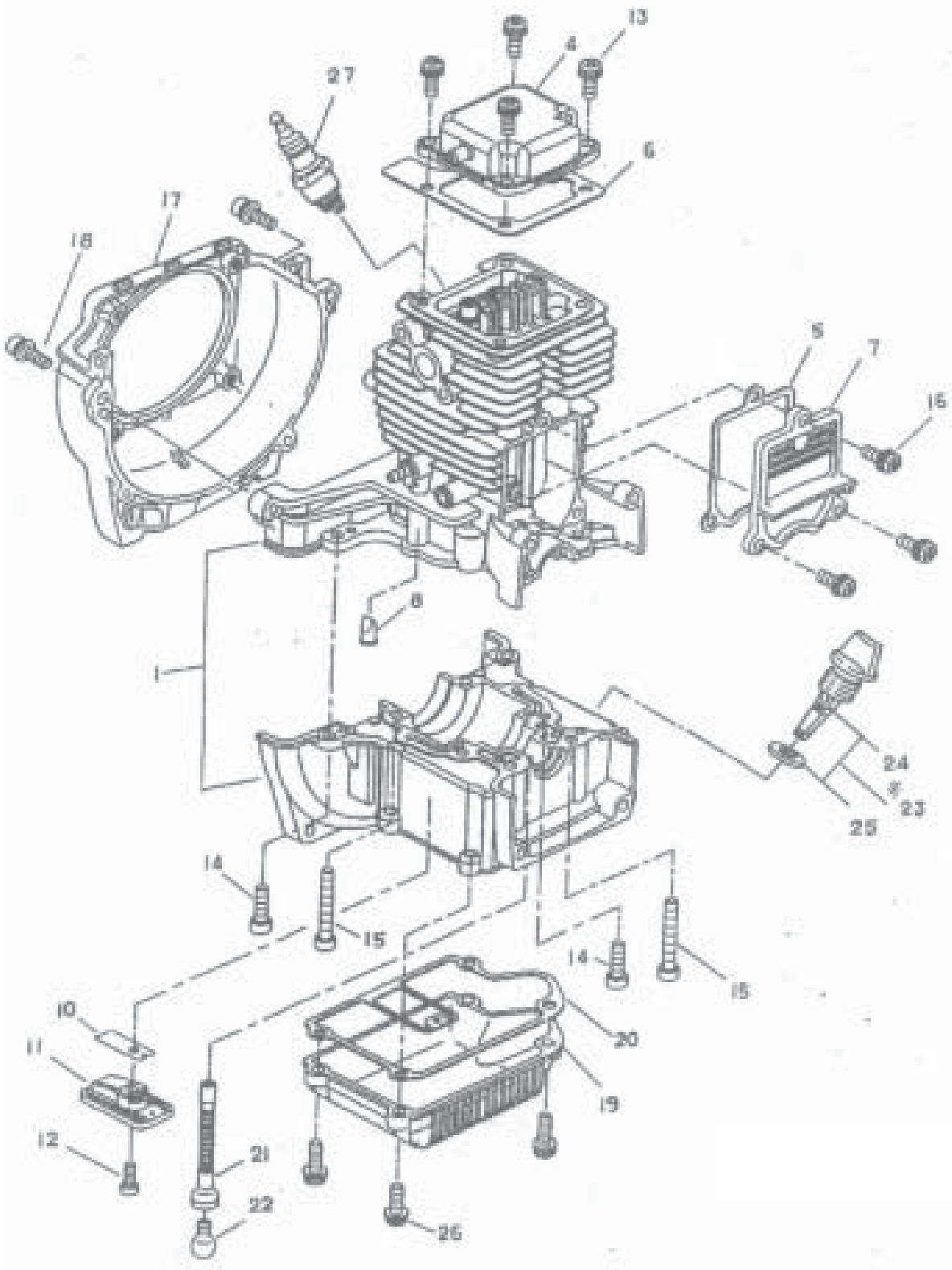


STARTER ASSEMBLY

Item	Robin No	Wyco No	Part Description	Qty
1	5935002000	-	Cover Starter Assembly	1
2	5935500600	-	Starter Rewind	1
3	5025001020	403203	Spiral Spring	1
4	5315022020	403204	Reel	1
5	5315022040	403205	Starter Rope	1
6	5215002110	403206	Starter Knob	1
7	5425003010	-	Set Screw	1
10	5315023000	-	Pulley	1
11	0140059480	-	Screw Assembly	4
13	5939500400	-	Model Label	1



CYLINDER BLOCK

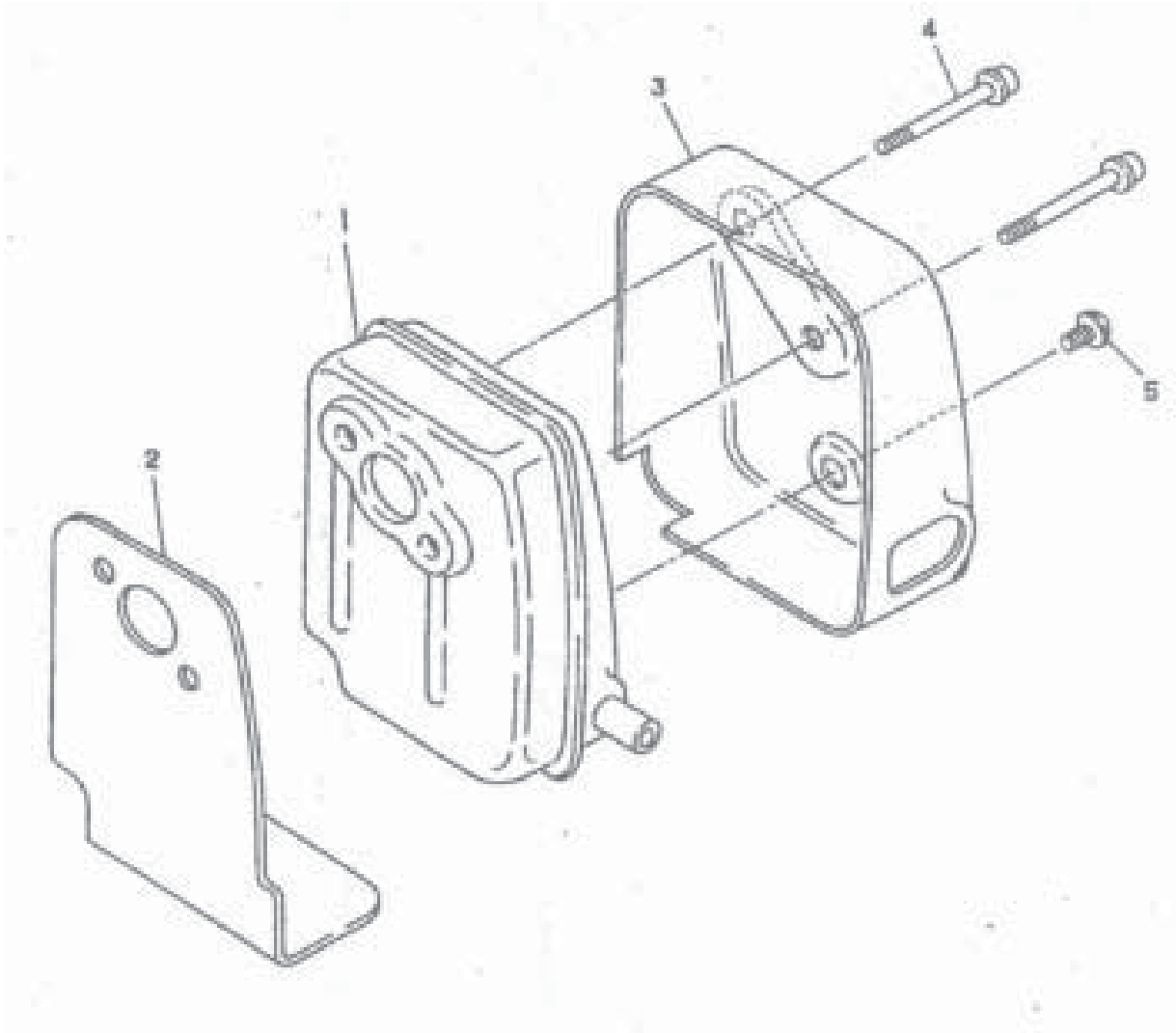


CYLINDER BLOCK

Item	Robin No	Wyco No	Part Description	Qty
1	5931005000-1	-	Cylinder Block Set	1
4	5931004000	-	Rocker Cover Complete	1
5	5921500700	-	Gasket, Cover Cam Gear	1
6	5931500800	-	Gasket, Rocker Cover	1
7	5921500502	-	Cover, Cam Gear	1
8	5921501800	-	Check Valve	2
10	5921501000	-	Lead Valve	1
11	5921501100	-	Retainer Plate	1
12	0119049960	-	Socket Head Bolt	1
13	0043605160	-	Screw Assembly	4
14	0119059470	-	Socket Head Bolt	4
15	0119059860	-	Socket Head Bolt	4
16	0043605140	-	Screw Assembly	3
17	5935500200-1	-	Blower Housing	1
18	0119059531	-	Socket Head Bolt	4
19	5936500000	-	Case, Oil	1
20	5936500100	-	Gasket, Case	1
21	5926500200-1	-	Tube, Oil	1
22	5926500300	-	Weight, Oil	1
23	5926015000	-	Oil Gauge Assembly	1
24	5926500600	403230	Oil Gauge	1
25	0213169990	403231	Gasket	1
26	0043605180	-	Screw Assembly	4
27	0650109950	403201	Spark Plug	1

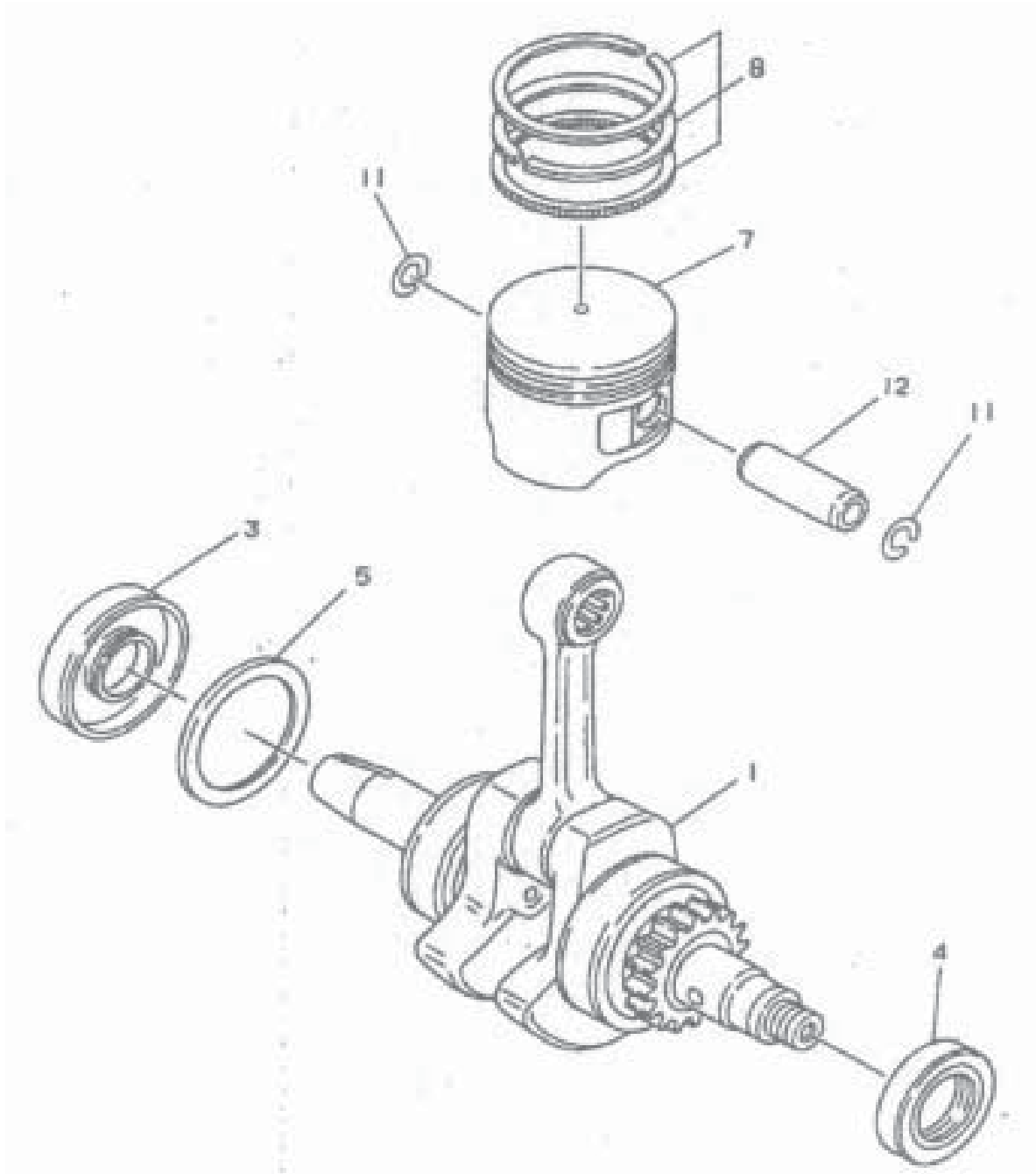
MUFFLER

Item	Robin No	Wyco No	Part Description	Qty
1	5923001000	-	Exhaust Muffler	1
2	5923501601	403218	Muffler Gasket	1
3	5923503400	403219	Muffler Cover	1
4	0119059520	-	Socket Head Bolt	2
5	0140059962	-	Screw	1

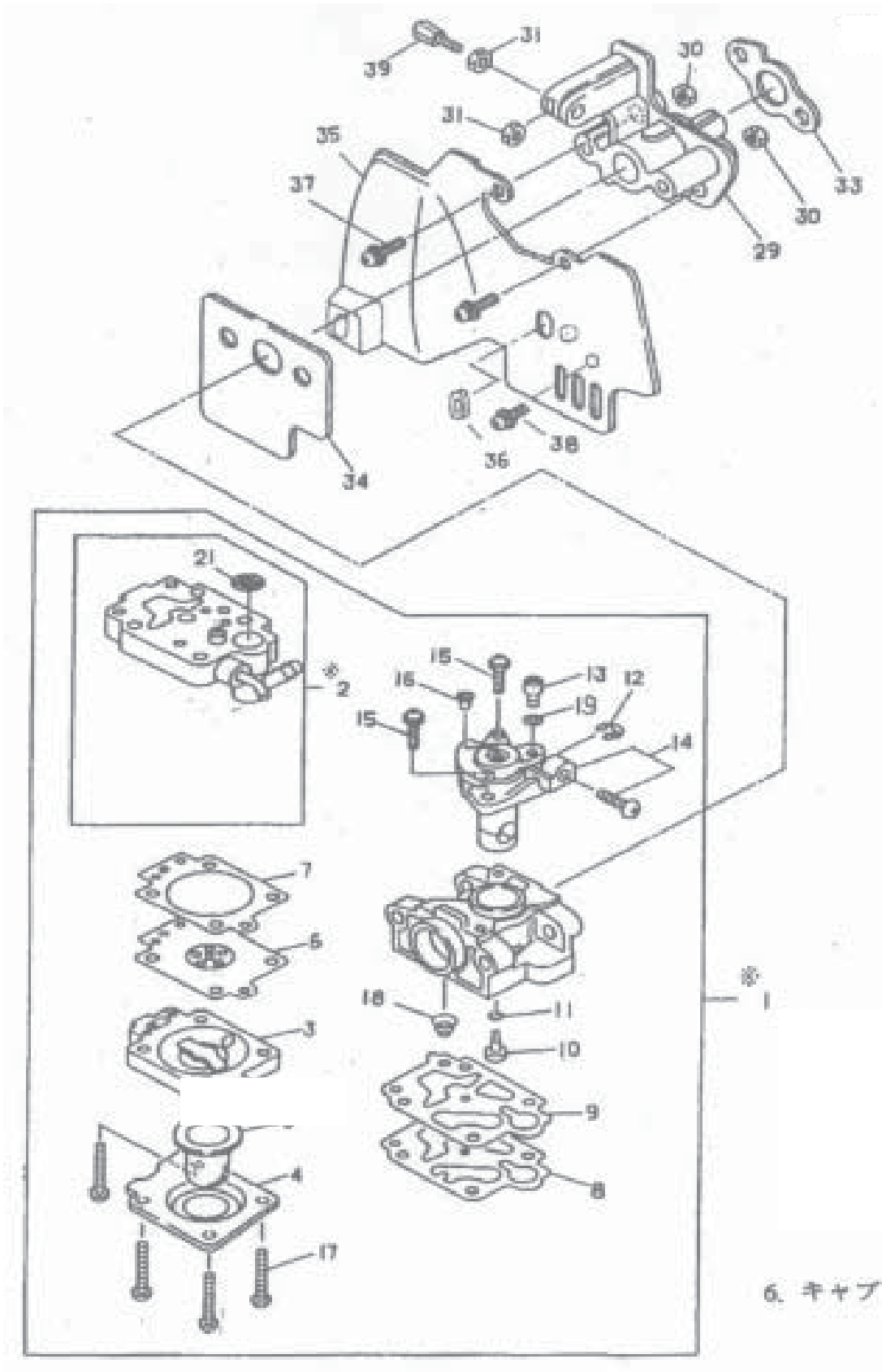


CRANK SHAFT & PISTON

Item	Robin No	Part Description	Qty
1	5932003000	Crank Shaft - Complete	1
3	0440129950	Oil Seal - L	1
4	0440109970	Oil Seal - S	1
5	5932501000	Clip	1
7	5932500400	Piston	1
8	5932004000	Piston Ring Set	1
11	0565099990	Clip	2
12	5932500900	Pin, Piston	1



CARBURETOR

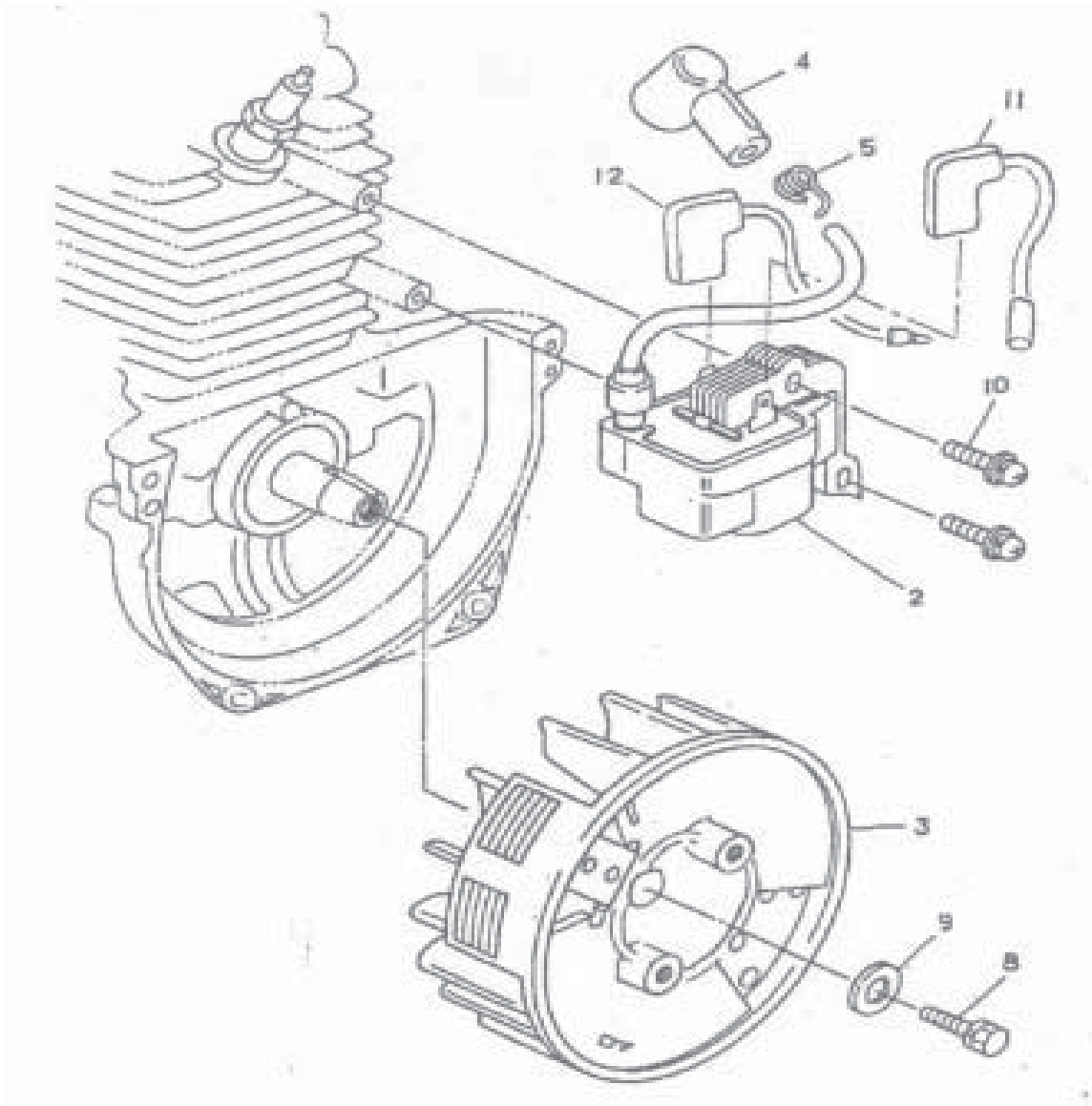


CARBURETOR

Item	Robin No	Wyco No	Part Description	Qty
1	5936002000	403209	Carburetor	1
2	5926002060	-	Pump Body Assembly	1
3	5236046140	-	Air Pump Body Assembly	1
4	5236046050	-	Primer Pump Cover	1
5	5246001150	-	Primer Pump	1
6	5926008010	-	Metering Diaphragm Assy	1
7	5236046040	-	Metering Diaphragm Gasket	1
8	5246001040	-	Pump Diaphragm	1
9	5926002040	-	Pump Gasket	1
10	5936002010	-	Jet	1
11	5246001010	-	O-Ring	1
12	5316005120	-	Spring Retaining Ring	1
13	5236018040	-	Swivel	1
14	5936002020	-	Throttle Valve Assembly	1
15	5206008030	-	Throttle Collar Screw	2
16	5206008110	-	Plug	1
17	5236046010	-	Pump Cover Screw	4
18	5926002020	-	Pump Spring	1
19	5426005030	-	Washer	1
21	5016004010	-	Inlet Screen	1
29	5923005001	403210	Insulator Complete	1
30	0170059980	-	Nut	2
31	0022706000	-	Nut	2
33	5923501801	403211	Insulator Gasket	1
34	5923501900	403212	Carburetor Gasket	1
35	5933500600	-	Carburetor Insulator	1
36	5257500300	-	Grommet	1
37	0043605180	-	Screw Assembly	2
38	0043605100	-	Screw Assembly	1
39	0149069972	-	Adjustment Screw	1

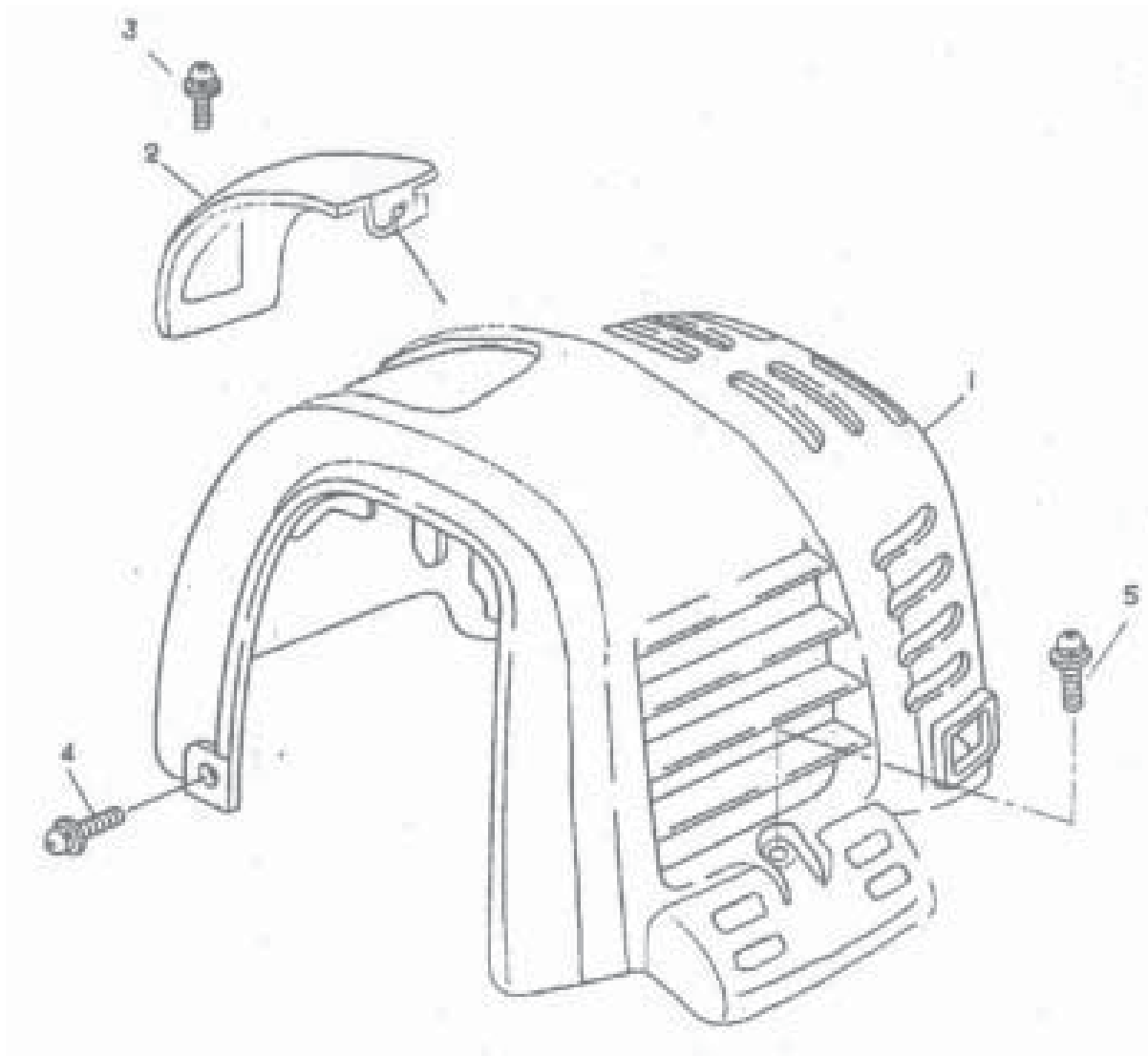
IGNITION

Item	Robin No	Wyco No	Part Description	Qty
2	5937001010	403226	Ignition Coil	1
3	5937001020	-	Flywheel CP	1
4	5927500100	403227	Plug Cap	1
5	0654009931	403228	Plug Cap Spring	1
8	0011306160	-	Bolt Assembly	1
9	0031206000	-	Washer	1
10	0140049920	-	Screw	2
11	5257018001-2	-	Wire Complete	1
12	5927003000	- </td <td>Wire Complete</td> <td>1</td>	Wire Complete	1



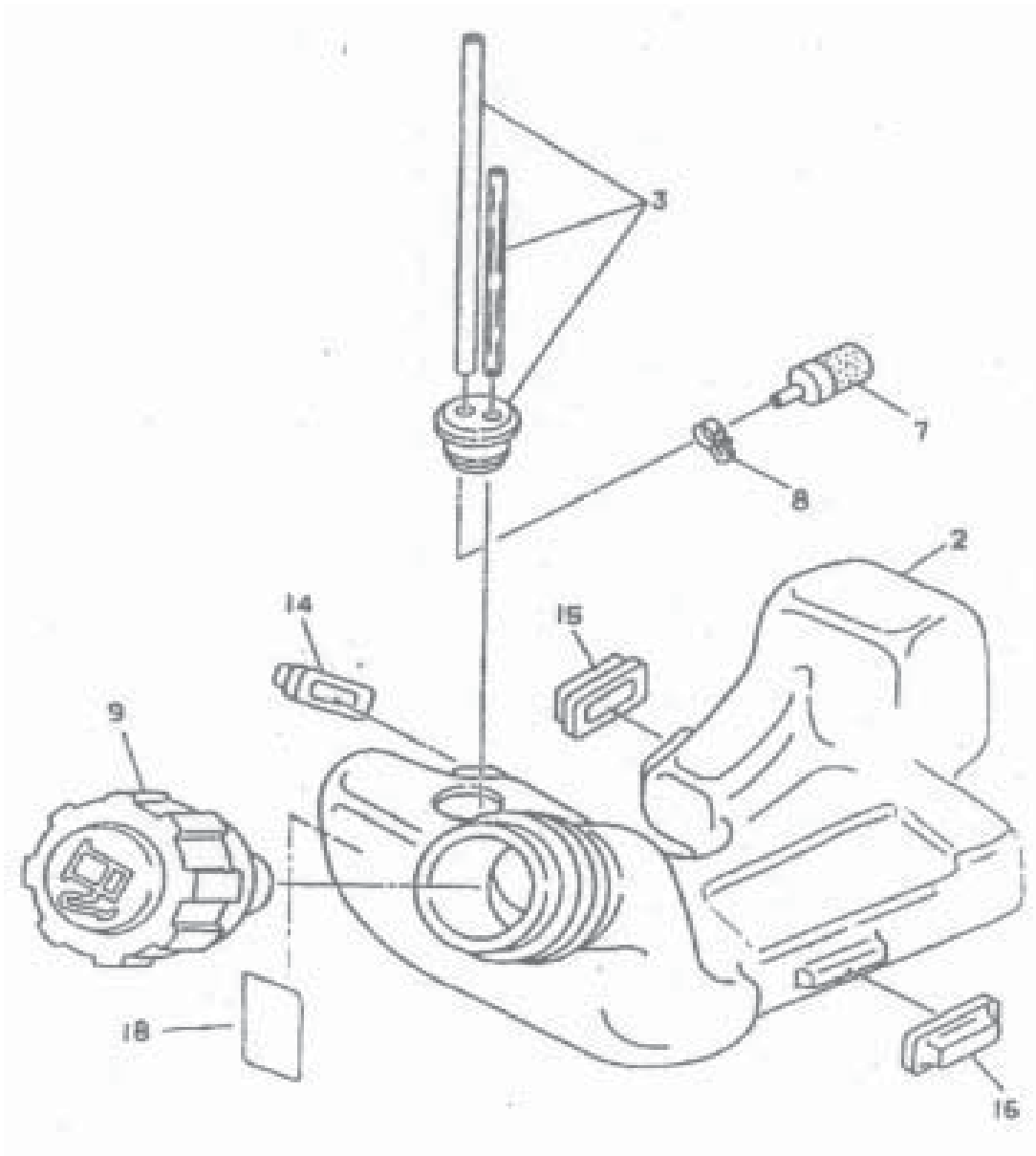
COVER

Item	Robin No	Wyco No	Part Description	Qty
1	5935500700	-	Cylinder Cover	1
2	5935500500	403229	Plug Cover	1
3	0140059920	-	Screw	1
4	004360510020	-	Screw Assembly	2
5	0140059480	-	Screw Assembly	1



FUEL TANK

Item	Robin No	Wyco No	Part Description	Qty
2	5936500200	-	Fuel Tank	1
3	5936003000	403220	Tube	1
7	5236503900	403221	Filter	1
8	0561059990	-	Hose Clamp	1
9	5926012000	403222	Fuel Tank Assembly Cap	1
14	5036500200-1	403223	Plate	1
15	5036500300-1	403224	Plate	1
16	5196500301	403225	Damper	1
18	0736389961	-	Caution Label	1



CLUTCH HOUSING ASSEMBLY

Item	Robin No	Wyco No	Part Description	Qty
1	6341500200-1	-	Clutch Case 1, Clutch Parts	1
2	6341500300	-	Clutch Case 2, Clutch Parts	1
3	6341501200	-	Pipe Bracket, Clutch Parts	1
4	6341500500	-	Pipe Damper, Clutch Parts	1
5	6342003000	-	Clutch Drum, Clutch Parts	1
6	0600179810	-	Ball Bearing, Type 6003	1
7	6341500600	-	Spacer, Clutch Parts	1
8	0031435000	-	Inner Snap Ring, 5000-131	1
9	0031517000	-	Outer Snap Ring, 5100-66	1
10	0031532000	-	Outer Snap Ring, 5100-125	1
11	0119059950	-	Soc Head Cap Screw, M5 x 18	3
12	0119059780	-	Soc Head Cap Screw, M5 x 12	1
13	0119069750	-	Soc Head Cap Screw, M6 x 22	5

Wyco sells this complete Clutch Housing Assy as Part #403239
(Robin Part #5938003000).

